

# DPX-19817

## Perkins Generator

Prime: 600KW/750KVA

Standby: 660KW/825KVA

### Technical Data

Model		DPX-19817
Prime power	kva	750
	kw	600
Standby power	kva	825
	kw	660
Rated voltage line to line	V	400
Rated current	A	1083
Maximun sound level	dB@7m	78

### Engine-Perkins

Model		4006-23TAG2A
Aspiration		4 stroke, Vertical, In line, Turbo charged,
Fuel system		Direct injection
No. cylinders		6
Displacement	L	22,921
Bore*Stroke	mm	160x190
Compression ratio		13.6:1
Rated speed	r/min	1500
Governor		Electric
Engine size	mm	3027x1706x1924
Engine wet weight	kg	2524
Fire order		1-5-3-6-2-4
Start Motor	V	24
Rotation		Anti-clockwise, viewed on the flyweel

### Air inlet

clear filter	mm	127
dirty filter	mm	380

### Fuel system

type of injection system		Combined unit injector
Fuel delivery pump pressure	kpa	300

## Fuel System

110% load(Standby power)	L/h	176
100% load(Prime power)	L/h	159
75% load(Prime power)	L/h	119
50% load(Prime power)	L/h	79
Fuel capacity for silent genset	L	1550
Fuel capacity for open genset	L	1500

## Lubrication System

Oil capacity	L	113,4
--------------	---	-------

## Cooling System

Total coolant capacity	L	105
------------------------	---	-----

## Standard Features

Engine(Perkins ENGINE)	●
Radiator 50°C max,fans are driven by belt	●
24V charge alternator	●
Alternator: single bearing alternator IP23	●
insulation class H/H	●
Standard auto control system	●
Main line circuit breaker / ACB	●
Base fuel tank	●
24V batteries, rac and cable	●
Exhaust system(Ripple flex exhaust pipe)	●
Exhaust siphon, flange, muffler	●
User manual	●
Battery charge	●

## Options

Water heater	○
Alternator heater	○
One set of air filter, fuel filter, oil filter	○
PMG	○
Water oil separator	○
Daily fuel tank	○
Remote control panel	○
Automatic transfer switch/ATS	○
Switch box	○

Standard: ●

Options: ○

## Alternator

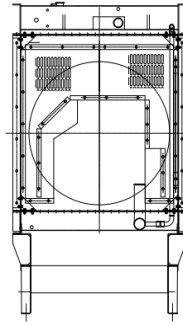
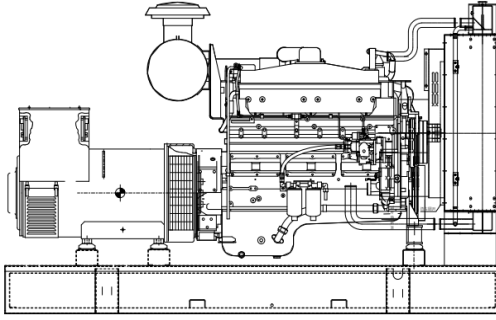
Model		TAL-A49-B
Alternator Brand		Leroy Somer
Phase		3
Voltage	V	400
Wiring Type		6 wires
Bearing		1
Power factor		0,8
Frequency	Hz	50
Prime power	KVA	750
Exciter Type		Brushless, self-excitation
Voltage regulation	%	±0.5
Protection Grade		IP 23
Insulation grade		H

## Controller-Deepsea

Model	DSE 7320
7 configurable digital inputs	
Built-in governor and AVR control	
Base load (kW export) functionality	
Mains (utility) de-coupling protection	
Generator power (kW, kVA) monitoring	
Overload (kW & kV Ar) protection	
Emergency stop	
Start failure	

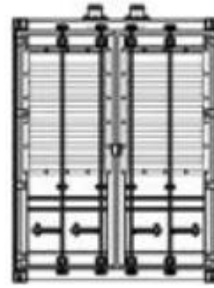
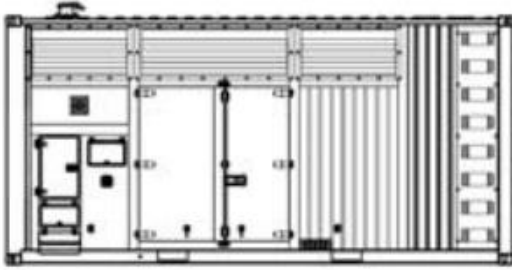


## Unit Dimensions(Basic unit)



### Open Type

L*W*H	mm	4200x1850x2250
Weight	kg	5300



### Silent Type

L*W*H	mm	5800x2150x2500
Weight	kg	6800

## Warranty

### Perkins Engine

12 months from date of purchase or 1000 hours.

### Generator

12 months from date of purchase or 1000 hours

(whichever comes first).