

## Technical specifications

Diesel Generator Set

Frequency: 50HZ

# QIS 95

Voltage: 400/230 V

Frequency: 50HZ



Genset Image for illustration purposes only

### TECHNICAL INFORMATION

Standby Power (ESP)	kVA	96
	kW	77
Prime Power (PRP)	kVA	90
	kW	72
Rated current 3ph (LTP)	A	138,3
Mechanical structure		Soundproofed
Engine		CUMMINS 6BT5.9-G2
Alternator		ATLASCOPCO ACA225G
Control card		DEEP SEA 4620
Measures (L x W x H) mm 2.220	mm	2.910 x 1.120 x 1.685
Empty weight	kg	1530
Fuel tank	L	225
Acoustic pressure, LpA	dB(A) a 7	70
Acoustic power LwA	dB(A)	96

Voltages	Prime Power (PRP)		Standby Power (ESP)	
	(kVA)	(kW)	(kVA)	(kW)
380/220	90	72	96	77
400/230	90	72	96	77
415/240	90	72	96	77

#### Notes:

PRIME POWER: Electrical power data available at a variable load without limits of hours per year. An overload of 10 % is allowed for 1 hour of every 12. In accordance with ISO 8528/1 (2005) – PRP

STANDBY POWER: Electrical power data at variable load in an emergency in accordance with standard ISO 8528/1 (2005) – ESP. Overloads of emergency power are not allowed.

The standard reference conditions are: 25 °C, 100 kPa and 30% relative humidity. Diesel density: 0.835 g/cm3.

## General description

Specifically developed for the industrial applications, this stationary soundproof generator set is easy to use and straightforward to maintain. The available features & options are designed to fully meet the requirements of all industrial applications. The generator set will automatically start on mains failure and cool down and stop as soon as the mains come back. The generator set also controls the load transfer between mains (utility) and generator set. It can also be start-up by means of an external signal.

It's your solution for Predictable Power.

## Engine

6BT5.9-G2 CUMMINS diesel 4 stroke engine, with turbo, with direct injection and electronic regulation of the engine speed.

<b>Engine brand</b>	CUMMINS	<b>Engine Capacity (l)</b>	5,9
<b>Model</b>	6BT5.9-G2	<b>Bore (mm)</b>	102
<b>R.P.M.</b>	1500	<b>Stroke (mm)</b>	120
<b>Fuel</b>	Diesel	<b>Compression ratio</b>	17.3:1
<b>No. of cylinders</b>	6 L	<b>Type of regulation</b>	Electrical

## Cooling System

Cooling of the sleeves using cooling fluid comprised of water and glycol at 50% in a closed circuit driven by the engine pump.

The circuit is completed with a blower fan driven by the engine, radiator, expansion tank, cooling fluid purge system towards the outside of the bedplate and protections of all the running surfaces.

<b>Cooling type</b>	Water	<b>Limit ambient temperature (°c)</b>	40
<b>Coolant capacity (l)</b>	7,9		

Coolant heater with heating element is available as an option. An adjustable thermostat is included to maintain the temperature at optimum range and facilitate the starting of the engine.

<b>Coolant heater power (W)</b>	1 x 1000W		
---------------------------------	-----------	--	--

## Lubrication System

The lubrication system of this diesel engine comprises the oil pan, oil filter, oil switch and gear oil pump driven by the engine. All the components are original from the engine manufacturer.

It can be completed by an optional manual oil sump drain pump.

<b>Oil capacity (l)</b>	14,2		
-------------------------	------	--	--

## Air intake system

Air intake system for combustion with filtering device and filter change indicator; originals from the engine manufacturer. Intake air cooling after the turbo by means of an air/air exchanger.

<b>Intake air flow (m<sup>3</sup>/min)</b>	6		
--	---	--	--

## Exhaust System

The exhaust system consists of pipes, bellow, interior and exterior aluminized steel exhaust silencer that is highly resistant to corrosion, rain cap and hot part protections.

<b>T<sup>a</sup> gas emission (°C)</b>	526	<b>Engine Capacity (l)</b>	6
<b>Gas flow (m<sup>3</sup>/min)</b>	15	<b>Outlet diameter (")</b>	
<b>Number of exhaust</b>	1		

## Start System

Start system that uses an electrical motor, battery and battery charge alternator that is driven by the engine itself. The start motor and the battery charge alternator are originals from the engine manufacturer.

<b>Starter voltage system (V)</b>	24	<b>Battery type</b>	2 x 12V 45Ah
-----------------------------------	----	---------------------	--------------

## Fuel supply system

The fuel system consists of a fuel tank, feed pump, water separator fuel filter including 30 microns filtering element, injection pump and injection nozzles.

The fuel tank is made from plastic to prevent rust and includes a filling connection with cap and key, a cleaning hatch and draining plug for easier maintenance. The fuel level is controlled thanks to a fuel level sensor with an analogue gauge mounted in the control cubicle.

<b>Fuel tank capacity (L)</b>	225
-------------------------------	-----

## Fuel consumption panel

(range according to the standard configuration)

Load	Prime Power (PRP)		Standby Power (ESP)	
	(l/h)	Range (h)	(l/h)	Range (h)
0%	3,8	59	3,8	59
50%	10,7	21	11,6	19
75%	14,3	16	16,3	14
100%	19,1	12	19,7	11

## Alternator

Atlas Copco alternator with 4 poles, with a lifetime lasting greased bearing, H class insulation, without brushes, 2/3 pitch and AVR (Automatic Voltage Regulator)

Protection of all the windings by means of 2-part high quality polyester resin impregnation. The stator windings receive a double impregnation. Final finish with a coat of EG43 varnish.

Shunt excitation system that provides overload of 1,6 times the nominal current. The auxiliary winding as optional with overload capacity 3 times the nominal current for 20 s.

**Regulations:**

- IEC 34-1
- GB 755
- EN 60034
- VDE 0530
- BS 5000
- NEMA MG1-22
- ISO 8528:3

**Low wave distribution:**

- THC < 5%
- THD < 5%
- THF (IEC) < 2%
- TIF (NEMA) < 50

Incorporates electromagnetic emissions suppressor in accordance with standard VDE 0875, class K.

<b>Engine brand</b>	Atlas Copco	<b>Voltage Stability</b>	±1%
<b>Model</b>	ACA225G	<b>Performance at 75% p.f. 0.8 (%)</b>	94
<b>Alternator Power (kVA)</b>	90	<b>Performance at 100% p.f. 0.8 (%)</b>	91
<b>Number of wires</b>	12	<b>Direct subtransient reactance X''d (%)</b>	12
<b>IP Alternator</b>	IP 23	<b>Subtransient time constant, T''d (ms)</b>	8
<b>Excitation system</b>	SHUNT	<b>Zero sequence reactance, Xo (%)</b>	10
<b>AVR model</b>	SX460	<b>Short-circuit ratio, Kcc</b>	0,45

## Bed plate

The engine-alternator set is coupled to the bedplate by means of anti-vibration shock mounts that absorb almost all the vibrations.

The base frame is able to hold 100% of the liquids of the genset, reducing any potential environmental impact. It has a drainage plug.

## Sound proofed canopy

The canopy includes an external access to the lifting beam and push to close latches with key. The lifting beam is available as an option.

It is lined inside with a noise-absorbing material of polyurethane foam with a 30 mm thick waterproof protector veil with a density of 25 kg/m<sup>3</sup>.

It also has an emergency shutdown pushbutton that is accessible from the outside.

## Electric panel

Easily accessed control cubicle integrated in the generator set with digital controller providing advanced engine monitoring and protection features. Performance and maintenance requirements can also be observed. The cubicle includes multi-poles thermal-magnetic protection circuit breaker against overloads and short-circuits.

Has a circuit breaker, manually actuated, with thermal-magnetic protection against overloads and short-circuits.

<b>Circuit Breaker rated current (A)</b>	140A 4P R	<b>Battery charger</b>	DSE 9255 - 24V 5A
--	-----------	------------------------	-------------------

Has a DEEP SEA battery charge maintainer, designed to be permanently connected to the battery and maintains it charged to its maximum capacity.

Has no moving parts. The charger switches to floating mode when the charge is complete

## Control Card

DEEP SEA control plate, DSE 4620 with grid monitor that starts-up the generator set when it detects a failure in the electrical power supply from the grid and sends a signal to the switching panel to switch from the grid position to the group position . Once the power supply has been re-established, it sends an order to the switching panel to transfer the generator set power to the grid and shuts-down the generator set once it has cooled down. It also starts-up the generator set using an external signal.

Also, control plate DSE 4620 checks a large number of parameters of the generator set which allows it to display information, statuses and alarms. If required, it will shutdown the generator set: Due to high coolant fluid temperature, low oil pressure, low coolant fluid level, etc.

Includes a LCD screen with lighting, 2 navigation menu buttons, independent operational mode buttons, and alarms and status indicating LEDs.

Communications via USB, and Completely configurable using a PC in Windows environment and free Scada type software in real time.

Includes reading and displaying of parameters with RMS values, real time clock, events history log up to 15 events and programming of alarms, events, start-ups and shutdowns.

Operating modes: START-UP, SHUTDOWN, AUTO, MANUAL AND TEST.

### Generator

- Generator voltage (L-N)
- Generator voltage (L-L)
- Generator frequency
- Generator current
- kW
- kVA
- kWh
- kVAh
- Power factor



### Grid

- Grid voltage (L-N)
- Grid voltage (L-L)
- Grid frequency

### Engine

- Turn speed
- Cooling fluid temperature
- Oil pressure
- Hour meter
- Battery voltage
- No. of start-ups
- Fuel level

### Protections

- Start-up fault (generator set shutdown)
- High coolant temperature (alarm and generator set shutdown)
- Low oil pressure (alarm and generator set shutdown)
- Low fuel level (alarm)
- Low cooling fluid level (generator set shutdown)
- Overload (alarm and generator set shutdown)
- Battery voltage high (alarm)
- Battery voltage low (alarm)
- Battery charge alternator failure (alarm)
- Generator low frequency (alarm and shutdown)
- Generator high frequency (alarm and shutdown)
- Generator low voltage (alarm and shutdown)
- Generator high voltage (alarm and shutdown)
- External emergency shutdown (shutdown)
- Engine overspeed (shutdown)
- Maintenance interval (alarm)

## PTB

Optional Cabinet for switching between the grid and the generator set by means of Socomec brand power transfer switch with an integrated mechanical and electrical interlocking device.

Allows for the padlock locking function. Includes a Manual / Automatic mode selector and emergency manual control. Safety switching for isolating the loads. High dynamic resistance against short-circuits.

Position indicator with fully visualized cut-off. Stable positions not affected by changes in voltage and mechanical vibrations. External electrical control of the positions and test sequences.

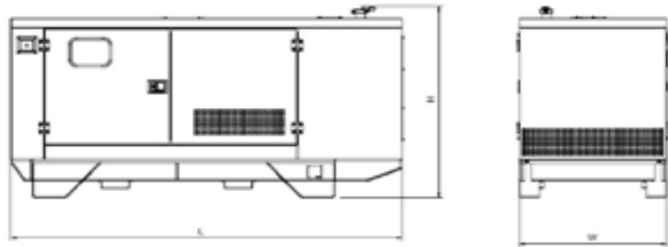
High number of operations. IP54 protection. Connections: Lower/lower.

PTB

4P 160A 160-333V L-N CCM

## Dimensions and weight

Fuel Tank Capacity	8h	24h	48h
Lenght, L (mm)	2910	2280	2280
Width, A (mm)	1120	980	980
Height, H (mm)	1685	1583	1754
Net Weight (kg)	1530	-	-



## Performance class

Execution class in accordance with ISO 8528/5 (2005) taking into account the behaviour of the generator set in a permanent mode of operation with different load levels, as well as in a temporary mode of operation due to shocks in the load.

Performance class

G2

## Regulation

The generator set has a CE Marking that includes the following directives:

- 2006/42/EC Machine Safety.
- 2014/35/EU Low Voltage.
- 2014/30/EU Electromagnetic compatibility.
- 2000/14/EC Noise emissions of machines outdoors in soundproof generator sets..

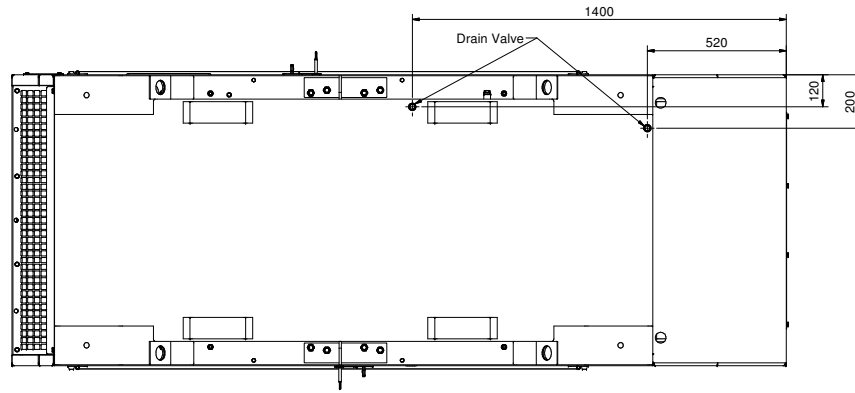
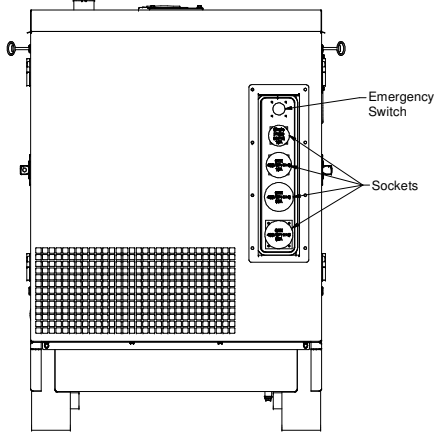
Regulation (EU) 2016/1628 Gases and contaminating particles emissions only for groups within its scope of application.

## Applicable international regulations:

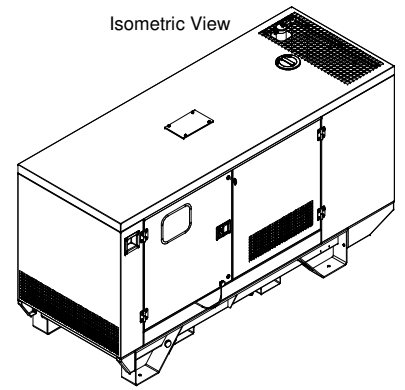
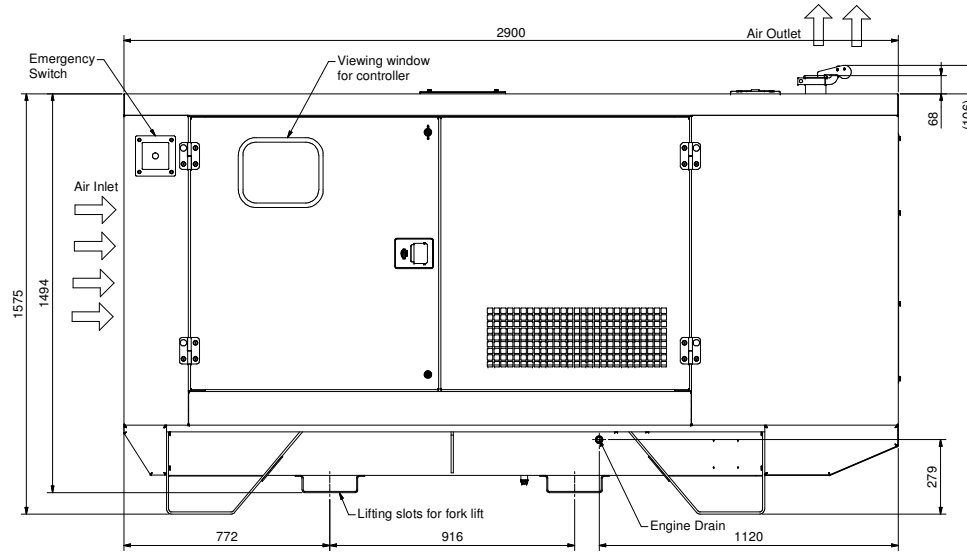
- ISO 8528
- ISO 3046
- BS 5000
- IEC 60034

All materials specified are to comply with the requirements of the applicable standards.

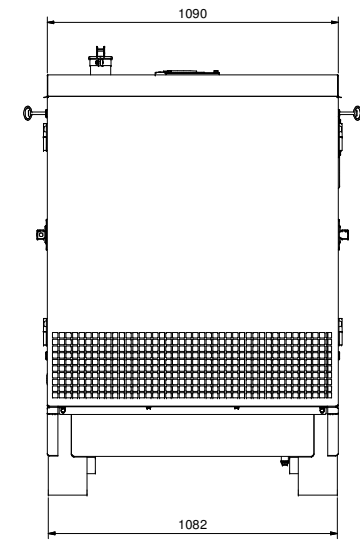
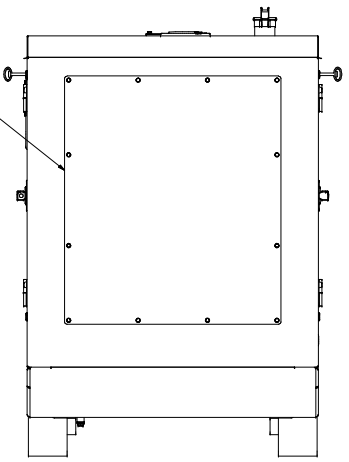
Socket option



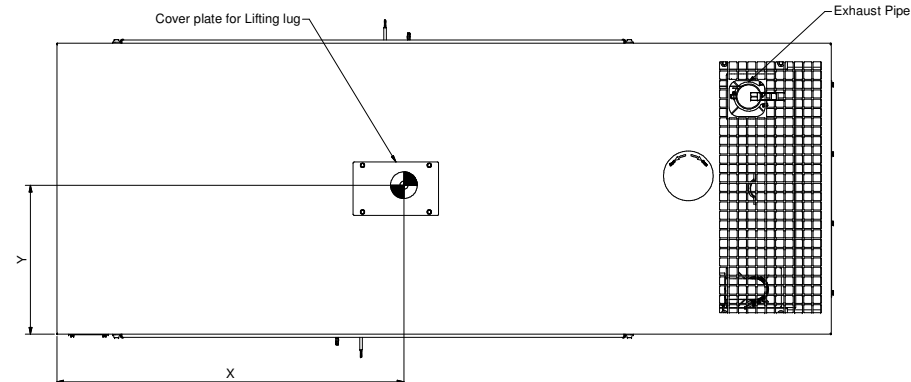
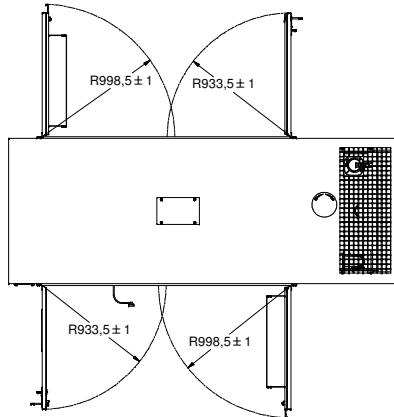
Standard



Service Plate



Door open position (1 : 20)

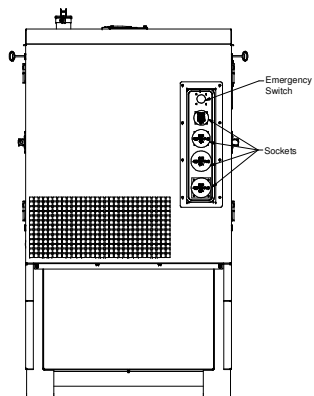


Type	BOX - C						
Commercial Name	QIS95U						
Total max. Weight	1464 kg						
Center of gravity							
Net Mass	Xx	Xy	Xz	Wet Mass	Xx	Xy	Xz
kg	mm	mm	mm	kg	mm	mm	mm
1464	1294	563	NA	1895	1294	563	NA
Type	BOX-C						
Commercial Name	QIS115U						
Total max. Weight	1502 kg						
Center of gravity							
Net Mass	Xx	Xy	Xz	Wet Mass	Xx	Xy	Xz
kg	mm	mm	mm	kg	mm	mm	mm
1502	1309	558	NA	1733	1309	558	NA
Type	BOX-C						
Commercial Name	QIS140U						
Total max. Weight	1543kg						
Center of gravity							
Net Mass	Xx	Xy	Xz	Wet Mass	Xx	Xy	Xz
kg	mm	mm	mm	kg	mm	mm	mm
1543	1303	555	NA	1775	1303	555	NA
Tolerances, if not indicated, according to:							
General tolerances				1350K - m			
ATLAS COPCO STANDARD CLASS							
Name	BOX C						
Material	Not Applicable						
Treatment	Not Applicable						
Scale	1 : 10		Family	Compare		Blanking	Inv
Drawn by	ineexrk		Blank nr.	Replaces		Drawing	Transfer
Drawing format		Blank wt.		kg		Sheet	
Date checked		Prod checked		Approved		Date	
2011/2		A1		N/A		26-06-2019	
Parent 3D model		Ed - Version 3D		Preliminary		9829370005	

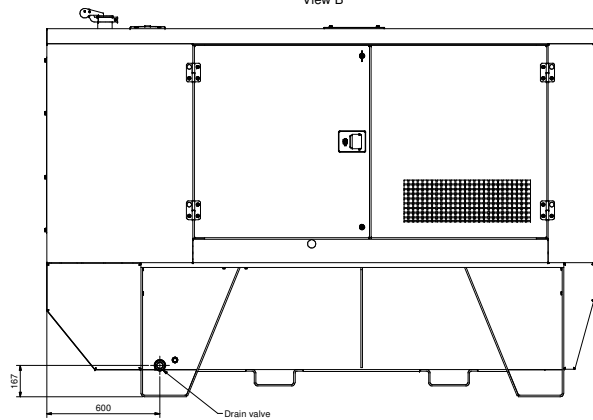
Ed	Posi	Modified from	Date	Intr./Appr.

CONFIDENTIAL: This document is property of Atlas Copco. All material and methods are protected under patent. No part of this document may be reproduced without the prior written consent of Atlas Copco.

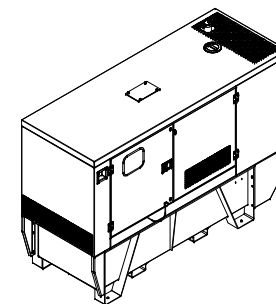
Socket option



View B

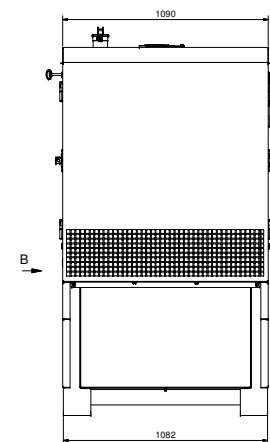
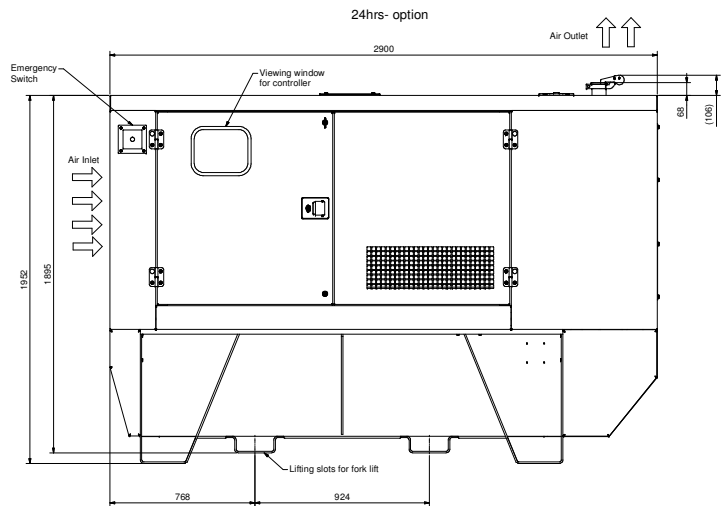
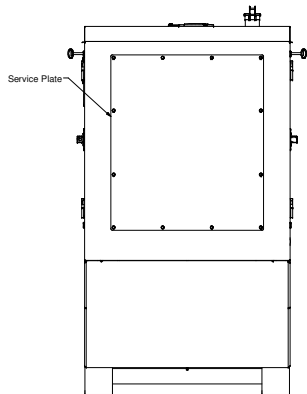


Isometric View

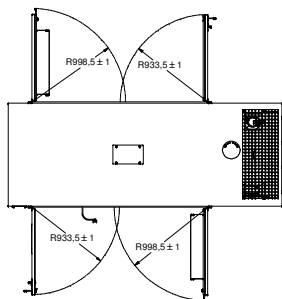


24hrs- option

Service Plate

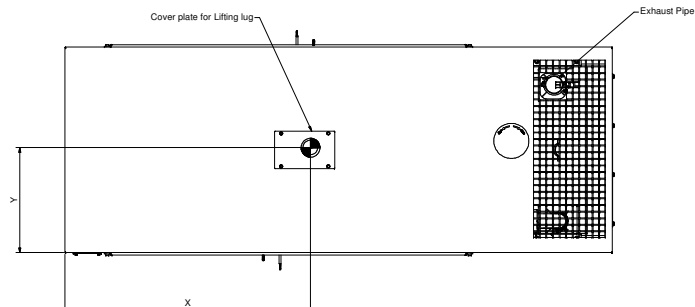


Door open position ( 1 : 20 )



Cover plate for Lifting lug

Exhaust Pipe



Tolerances: Free tolerances, according to		General tolerances	
ATLAS COPCO DYNAMIC CLASS		1350K - H	
Name	BOX C	Scale	1:1 (1:100)
Version	Not Applicable	Customer	
Treatment	Not Applicable	Inv.	
Material	Alu	Color	RAL 9005
Weight	1350K	Height	1350K
Dimensions	1090 x 1082 x 187	Weight	1350K
Project	9829370005	Version	01
Date checked	28.08.2019	Checked	
Project	Preliminary	Project	

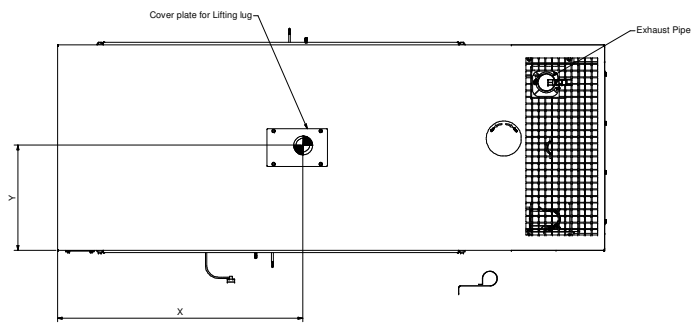
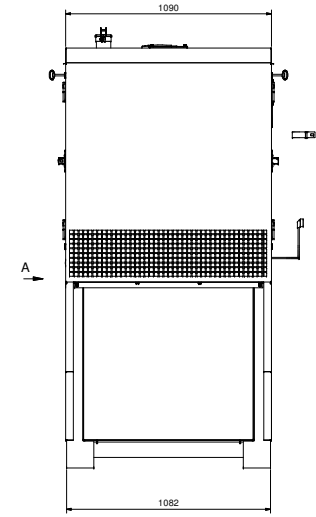
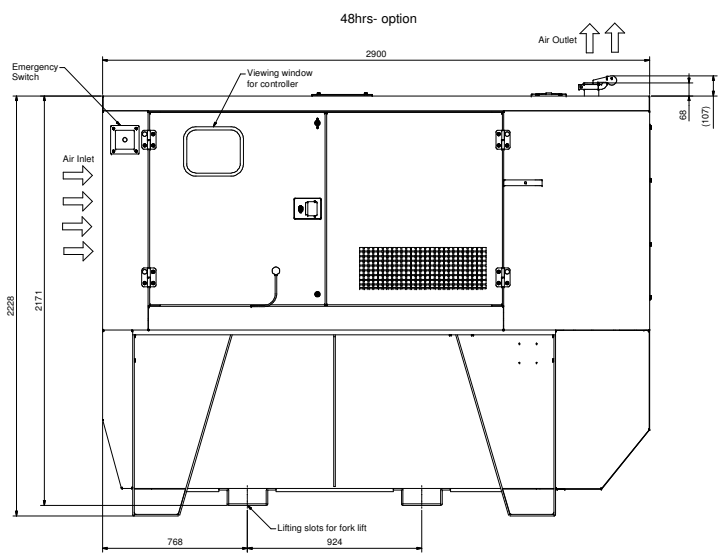
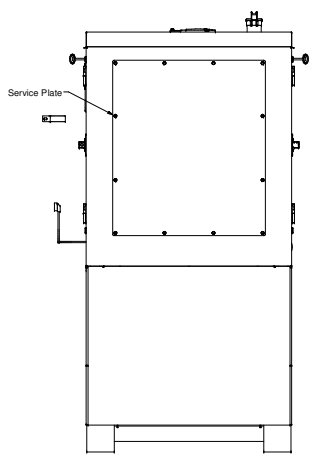
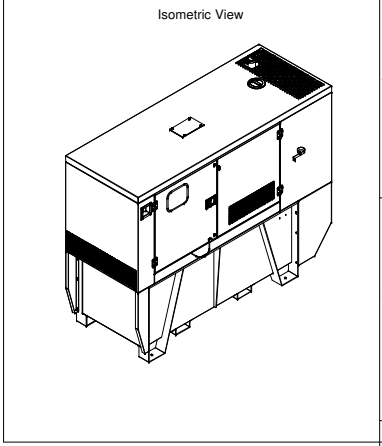
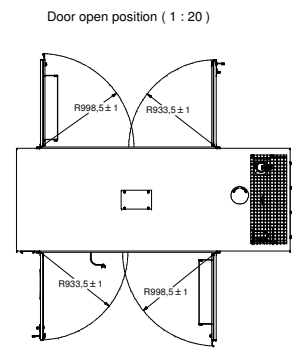
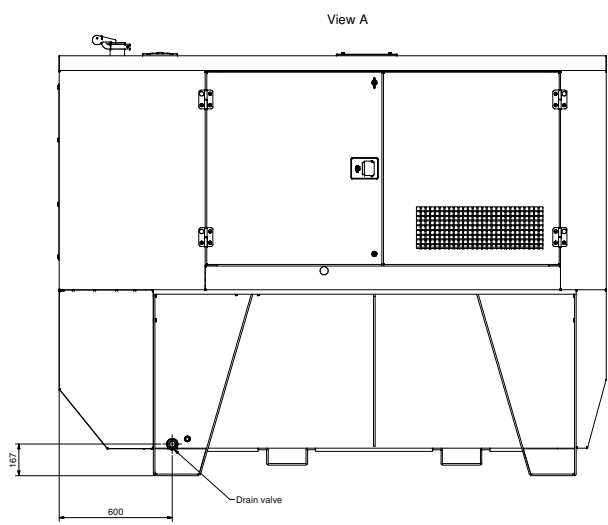
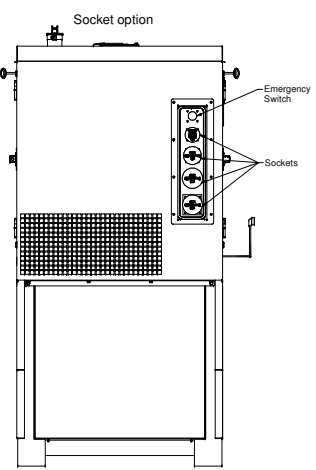
CONFIDENTIAL - This document is the property of Atlas Copco. It is not to be distributed outside the company. All rights reserved. No part of this document may be reproduced without the prior written permission of Atlas Copco.



CONFIDENTIAL

CONFIDENTIAL

Rev.	Date	By	Appr.

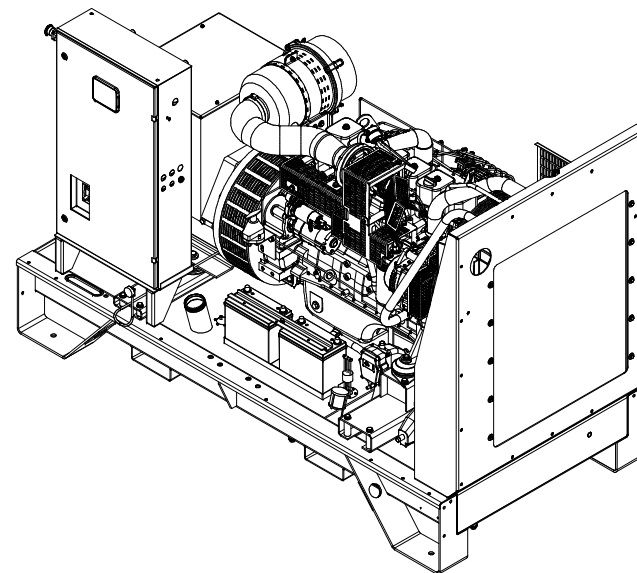
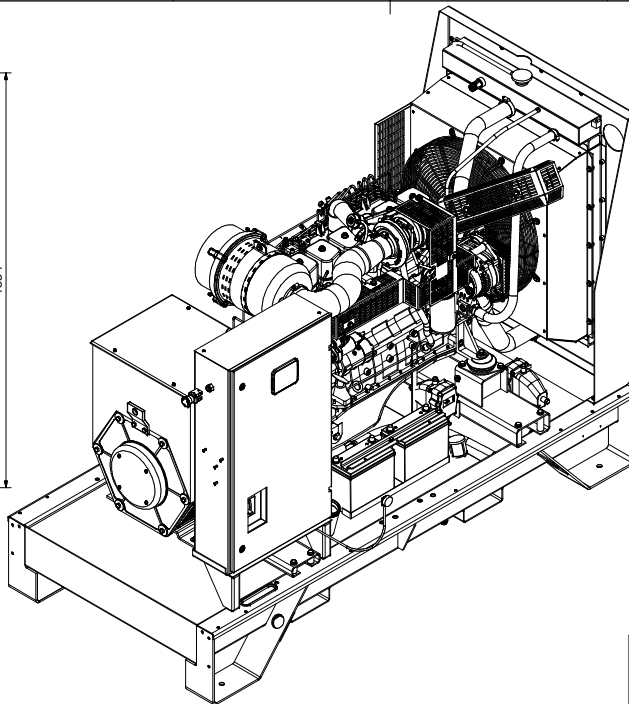
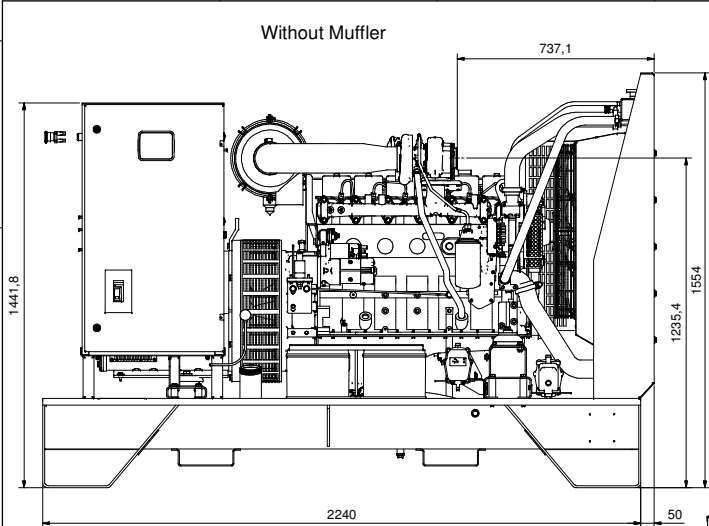


Tolerances: From fabrication, according to:		General tolerances:	
ATLAS COPCO DYNAMIC CLASS		1350K - H9	
Name:	BOX C	Scale:	1:1
Version:	Not Applicable	Author:	INV
Customer:	Not Applicable	Project:	9829370005
Drawn by:	Inv. 01	Checked by:	Inv. 01
Date checked:	28.08.2019	Approved:	28.08.2019

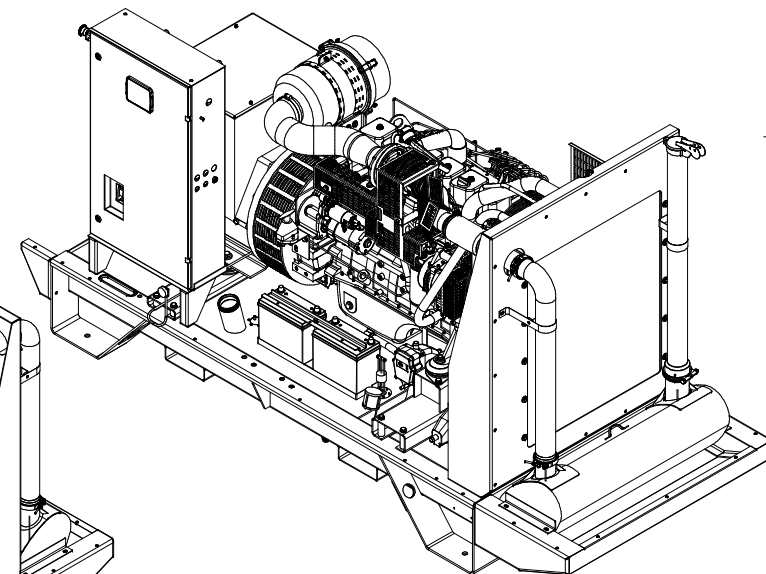
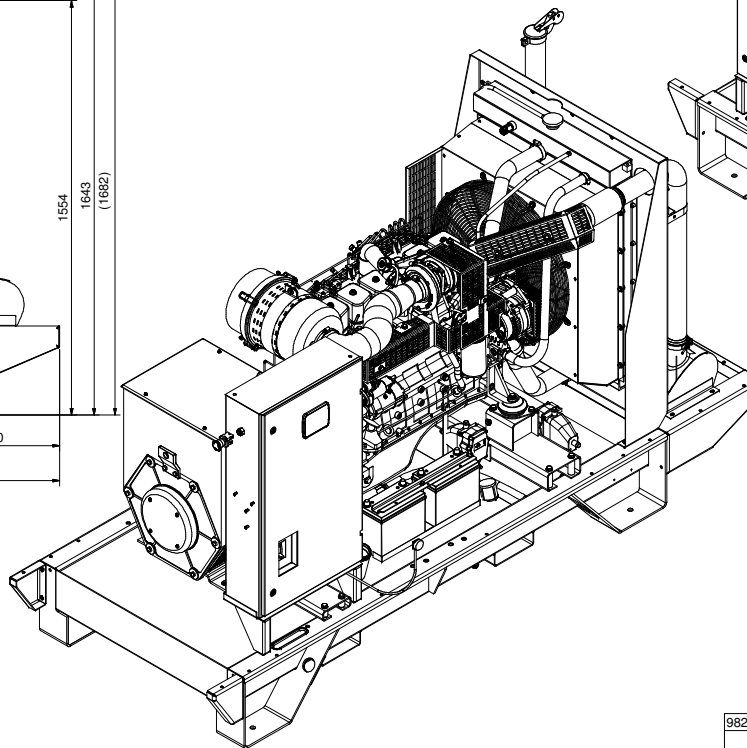
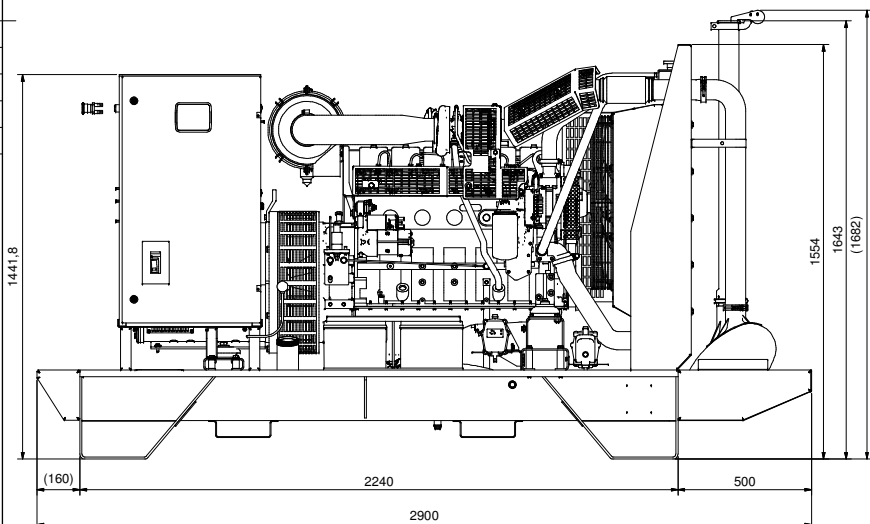
9829370005  
 Project 3-D model  
 Ed. Version 01  
 Preliminary

9829370005

Without Muffler



With Muffler



CONFIDENTIAL: This document is part of the Atlas Copco AB product and without our approval, the drawing may not be reproduced, stored in a retrieval system, or transmitted in any form or by any means, electronic, mechanical, photocopying, recording, or by any information storage and retrieval system.

Tolerances, if not indicated, according to:		General tolerances			
ATLAS COPCO STANDARD CLASS		1350K - m			
Name	BOX C	Confidentiality Class	INV		
Material	Not Applicable	Confidential	WUX		
Treatment	Not Applicable	Compare	Sheet 4 / 4		
Scale	1:10	Family	WUX		
Drawn by	inexsk	Blank nr.	WUX		
Drawing format	Blank wt	kg	WUX		
Des. checked	Prod. checked	Approved	Date	26-06-2019	
9829370005		Parent 3D model		Ed. Version 3D	
Preliminary		9829370005		9829370005	