

# Doosan Generator

**Prime: 120KW/165KVA**  
**Standby: 132KW/165KVA**

## Technical Data

Model		165kva
Prime power	kva	150
	kw	120
Standby power	kva	165
	kw	132
Rated voltage line to line	V	400
Rated current	A	216,5
Maximun sound level	dB@7m	73

## Engine-Doosan

Model		P086TI-1
Aspiration		Four-stroke, water-cooled, 6 cylinders,in line, trubo charged and intercooled
No. cylinders		6
Displacement	L	8,071
Bore*Stroke	mm	111x139
Compression ratio		16.4:1
Rated speed	r/min	1500
Governor		Electrcial system
Engine wet weight	kg	790
Engine dimension	mm	1242x923x1095
Fire order		1-5-3-6-2-4
Start Motor	V	24

## Exhause System

Max exhaust back pressure	kPa	5,9
---------------------------	-----	-----

## Air intake System

Max inlet pressure (Dirty air)	kPa	6,23
Max inlet pressure (Clean air)	kPa	2,16

## Fuel System

110% load(Standby power)	L/h	39
100% load(Prime power)	L/h	35,4
75% load(Prime power)	L/h	26,7
50% load(Prime power)	L/h	18,7
25% load(Prime power)	L/h	10,1
Fuel capacity for silent genset	L	224
Fuel capacity for open genset	L	250

## Lubrication System

Idle speed oil pressure	kPa	250
Max oil temperature	°C	120
Oil capacity Max	L	15,5
Oil capacity Low	L	12

## Cooling System

Coolant capacity in engine	L	14
Coolant capacity with radiator	L	44
Thermostat operating range.	°C	71~85
Pressure cap	kPa	49
Coolant Alarm temperature	°C	103

## Standard Features

Engine(Doosan Engine)	●
Radiator 50°C max,fans are driven by belt	●
12/24V charge alternator	●
Alternator: single bearing alternator IP23	●
insulation class H/H	●
Standard auto control system	●
One set of air filter, fuel filter, oil filter	●
Main line circuit breaker / ACB	●
Base fuel tank	●
One 12V/Two 24V batteries, rac and cable	●
Exhaust system(Ripple flex exhaust pipe)	●
Exhaust siphon, flange, muffler	●
User manual	●
Battery charge	●
Water heater	●

## Options

Alternator heater	<input type="radio"/>
PMG	<input type="radio"/>
Water oil separator	<input type="radio"/>
Daily fuel tank	<input type="radio"/>
Remote control panel	<input type="radio"/>
Automatic transfer switch/ATS	<input type="radio"/>
Switch box	<input type="radio"/>
Standard: ●	Options: ○

## Alternator

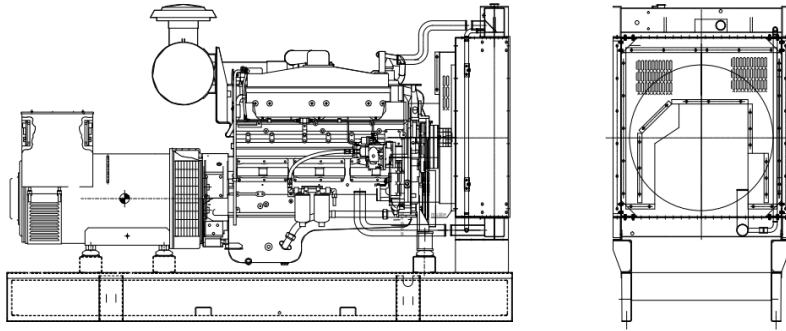
Model		TAL-A44-J
Alternator Brand		LERROY SOMER
Phase		3
Voltage	V	400
Wiring Type		6 wires
Bearing		1
Power factor		0,8
Frequency	Hz	50
Prime power	KVA	150
Exciter Type		Brushless, self-excitation
Voltage regulation	%	±0.5
Protection Grade		IP 23
Insulation grade		H

## Controller-Deepsea

Model	DSE 6120
7 configurable digital inputs	
Built-in governor and AVR control	
Base load (kW export) functionality	
Mains (utility) de-coupling protection	
Generator power (kW, kVA) monitoring	
Overload (kW & kV Ar) protection	
Emergency stop	
Start failure	

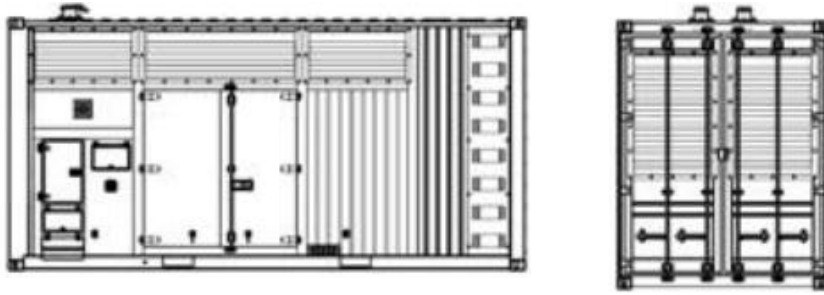


## Unit Dimensions(Basic unit)



### Open Type

L*W*H	mm	2650*950*1450
Weight	kg	1500



### Silent Type

L*W*H	mm	3350*1130*1800
Weight	kg	1950

## Warranty

### Doosan Engine

12 months from date of purchase or 1000 hours.

### Generator

12 months from date of purchase or 1000 hours

(whichever comes first).