

DPX-19826

Perkins Generator

Prime: 1600KW/2000KVA
Standby: 1760KW/2200KVA

Technical Data

Model		2200kva
Prime power	kva	2000
	kw	1600
Standby power	kva	2200
	kw	1760
Rated voltage line to line	V	400
Rated current	A	2887
Maximun sound level for silent	dB@7m	85

Engine-Perkins

Model		4016-TAG2A
Aspiration		4 stroke, Vee 60°C, Turbo charged,
Fuel system		Direct injection
No. cylinders		16
Displacement	L	61,123
Bore*Stroke	mm	160x190
Compression ratio		13.6:1
Rated speed	r/min	1500
Governor		Electric
Engine size	mm	3302x1723x2128
Engine wet weight	kg	4604
Fire order		1a-1b-3a-3b-7a-7b-5a-5b-8a-8b-6a-6b-2a-2b-4a-4b
Start Motor	V	24
Rotation		Anti-clockwise, viewed on the flyweel

Air inlet

clear filter	mm	127
dirty filter	mm	380

Fuel System

type of injection system		Combined unit injector
Fuel delivery pump pressure	kpa	300

Fuel System

110% load(Standby power)	L/h	488
100% load(Prime power)	L/h	477
75% load(Prime power)	L/h	326
50% load(Prime power)	L/h	212
25% load(Prime power)	L/h	112
Fuel capacity for silent genset	L	2000
Fuel capacity for open genset	L	without

Lubrication System

Oil capacity	L	177
--------------	---	-----

Cooling System

Total coolant capacity	L	214
------------------------	---	-----

Standard Features

Engine(Perkins ENGINE)	●
Radiator 50°C max,fans are driven by belt	●
24V charge alternator	●
Alternator: single bearing alternator IP23	●
insulation class H/H	●
Standard auto control system	●
Main line circuit breaker / ACB	●
Base fuel tank	●
24V batteries, rac and cable	●
Exhaust system(Ripple flex exhaust pipe)	●
Exhaust siphon, flange, muffler	●
User manual	●
Battery charge	●
Water heater	●

Options

Alternator heater	<input type="radio"/>
One set of air filter, fuel filter, oil filter	<input type="radio"/>
PMG	<input type="radio"/>
Water oil separator	<input type="radio"/>
Daily fuel tank	<input type="radio"/>
Remote control panel	<input type="radio"/>
Automatic transfer switch/ATS	<input type="radio"/>
Switch box	<input type="radio"/>

Standard: ●

Options: ○

Alternator

Model		LSA52.3 S6
Alternator Brand		Leroy Somer
Phase		3
Voltage	V	400
Wiring Type		6 wires
Bearing		1
Power factor		0,8
Frequency	Hz	50
Prime power	KVA	2000
Exciter Type		Brushless, self-excitation
Voltage regulation	%	±0.5
Protection Grade		IP 23
Insulation grade		H

Controller-Deepsea

Model DSE 8610

7 configurable digital inputs&Synchro use

Built-in governor and AVR control

Base load (kW export) functionality

Mains (utility) de-coupling protection

Generator power (kW, kVA) monitoring

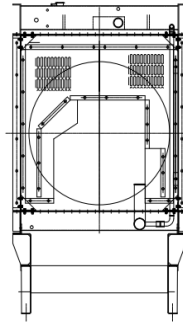
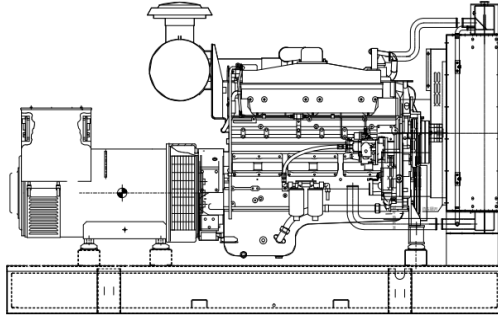
Overload (kW & kV Ar) protection

Emergency stop

Start failure

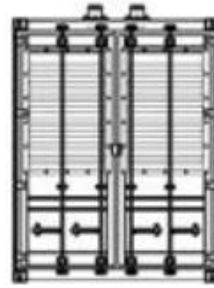
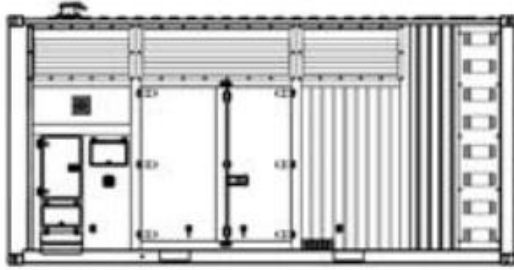


Unit Dimensions(Basic unit)



Open Type

L*W*H	mm	5600*2164*2550
Weight	kg	12160



Silent Type

L*W*H	mm	12192x2338x2898
Weight	kg	19860

Warranty

Perkins Engine

12 months from date of purchase or 1000 hours.

Generator

12 months from date of purchase or 1000 hours

(whichever comes first).