

Perkins Generator

Prime: 655KW/818KVA
Standby: 720KW/900KVA

Technical Data

Model		900kva
Prime power	kva	818
	kw	655
Standby power	kva	900
	kw	720
Rated voltage line to line	V	400
Rated current	A	1182
Maximun sound level for silent	dB@7m	78

Engine-Perkins

Model		4006-23TAG3A
Aspiration		4 stroke, Vertical, In line, Turbo charged,
Fuel system		Direct injection
No. cylinders		6
Displacement	L	22,921
Bore*Stroke	mm	160x190
Compression ratio		13.6:1
Rated speed	r/min	1500
Governor		Electric
Engine size	mm	3027x1706x1924
Engine wet weight	kg	2524
Fire order		1-5-3-6-2-4
Start Motor	V	24
Rotation		Anti-clockwise, viewed on the flyweel

Air inlet

clear filter	mm	127
dirt filter	mm	380

Fuel system

type of injection system		Combined unit injector
Fuel delivery pump pressure	kpa	300

Fuel System

110% load(Standby power)	L/h	194
100% load(Prime power)	L/h	172
75% load(Prime power)	L/h	130
50% load(Prime power)	L/h	90
Fuel capacity for silent genset	L	1550
Fuel capacity for open genset	L	without

Lubrication System

Oil capacity	L	113,4
--------------	---	-------

Cooling System

Total coolant capacity	L	105
------------------------	---	-----

Standard Features

Engine(Perkins ENGINE)	●
Radiator 50°C max,fans are driven by belt	●
24V charge alternator	●
Alternator: single bearing alternator IP23	●
insulation class H/H	●
Standard auto control system	●
Main line circuit breaker / ACB	●
Base fuel tank	●
24V batteries, rac and cable	●
Exhaust system(Ripple flex exhaust pipe)	●
Exhaust siphon, flange, muffler	●
User manual	●
Battery charge	●
Water heater	●

Options

Alternator heater	<input type="radio"/>
One set of air filter, fuel filter, oil filter	<input type="radio"/>
PMG	<input type="radio"/>
Water oil separator	<input type="radio"/>
Daily fuel tank	<input type="radio"/>
Remote control panel	<input type="radio"/>
Automatic transfer switch/ATS	<input type="radio"/>

Switch box



Standard: ●

Options: ○

Alternator

Model		TAL-49-C
Alternator Brand		Leroy Somer
Phase		3
Voltage	V	400
Wiring Type		6 wires
Bearing		1
Power factor		0,8
Frequency	Hz	50
Prime power	KVA	820
Exciter Type		Brushless, self-excitation
Voltage regulation	%	±0.5
Protection Grade		IP 23
Insulation grade		H

Controller-Deepsea

Model DSE 8610

7 configurable digital inputs&Synchro use

Built-in governor and AVR control

Base load (kW export) functionality

Mains (utility) de-coupling protection

Generator power (kW, kVA) monitoring

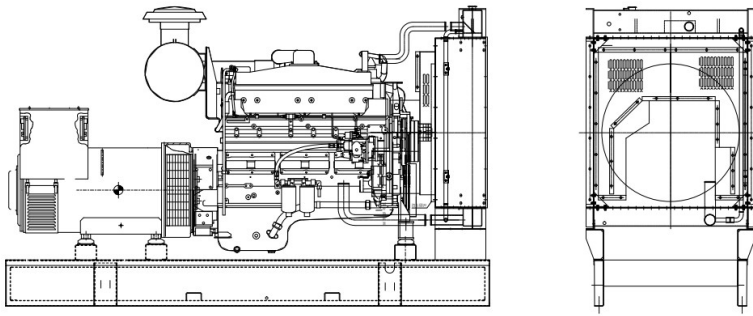
Overload (kW & kV Ar) protection

Emergency stop

Start failure

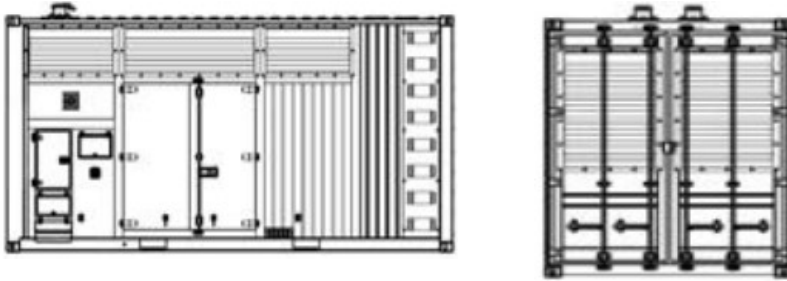


Unit Dimensions(Basic unit)



Open Type

L*W*H	mm	4500x1950x2150
Weight	kg	6800



Silent Type

L*W*H	mm	5808x2150x2503
Weight	kg	8600

Warranty

Perkins Engine

12 months from date of purchase or 1000 hours.

Generator

12 months from date of purchase or 1000 hours

(whichever comes first).